



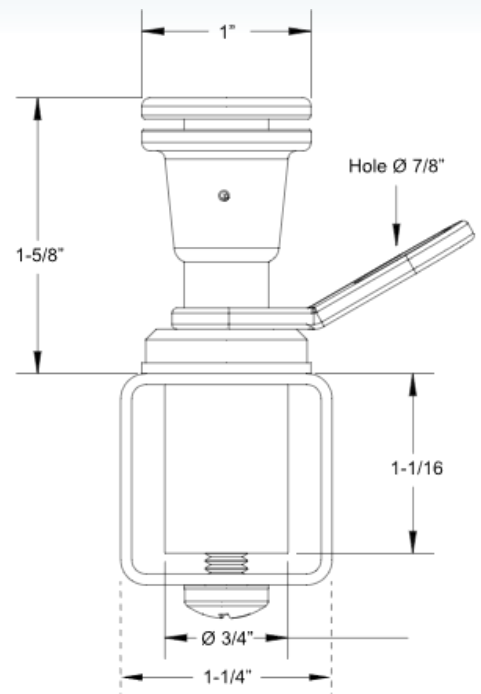
## PONTOON FENDER LOCK



Make your docking experience as effortless as possible with our Pontoon Fender Lock – designed to keep lines at optimal length by simply inserting the pin into the fitting.

### FEATURES & BENEFITS

- ▶ Manufactured from stainless steel Type-316L
- ▶ Designed for pontoon boats
- ▶ Features a 1" diameter button
- ▶ Fits 1" to 1-1/4" square tube
- ▶ Nylon ring washer to separate dissimilar metals
- ▶ Mounting application fastens from the bottom of the square tube



w tacomarine.com | ph 800.653.8568 | e info@tacomarine.com



PART #	DESCRIPTION	EYE	UNIT	PACK	UPC
F16-0220-1	Pontoon Fender Lock	7/8" ID	Each	12	63089008866
F16-0203-1	Pontoon Fender Lock Receiver only	N/A	Each	12	630838084882